

FINEX SIEVES PVT. LTD. *India's Leading Designer Manufacturer of Powder processing machines Grinding, Screening, Mixing, Drying, Material Handling Equipments and plants. We are a 22 years old Company and Leaders in Powder Processing Tech Designing and Manufacturing Cutting Edge Innovative Products for the processing industries. We supply all over the world. We are located in Baroda Gujarat India's Largest Engineering Industrial Estate. Gujarat is India's Largest Industrial State. We are located in Baroda Gujarat India's Largest Engineering Industrial Estate. Gujarat is India's Largest Industrial State. We are having a Land Area of 26,000sq.ft. area and built up Area of 7500sq. ft.*

FINEX SIEVES PVT. LTD.

606, GIDC MAKARPURA, VADODARA, GUJARAT,

INDIA, PH: 91-265-2642214, FAX: 91-265-2311871,

MOB: 9376232820

Visit site www.finexsieves.com

Email: contact@finexsieves.com

fsieves@yahoo.com

FINEX FUFM SCREENLESS PULVERIZERS

This is a Screenless Pulverizer for very fine grinding of powders from 100 to 300mesh . the material is fed in the center , Between the rotating tips and stationary serrated C shaped liners grinding takes place the grinded powder is sucked in to the sides of rotating Rotor through a gap plate which can be set from .5mm to 3mm. Through a built in blower the grinded powder is discharged downwards to be collected manually if the System is Gravity or it is pneumatically conveyed through a Blower into a Cyclone system .

Used for grinding sugar, tobacco snuff, chemicals dyes, minerals etc.

<u>Model</u>	<u>HP</u>	<u>CAP.</u>
FUFM300	10	50 to100KGS/hr
FUFM400	20	100 to 200kgs/hr
FUFM600	40	500kgs/hr

For Grinding powders 100 to 300mesh .

POWDER PROCESSING PRODUCT RANGE OF FINEX EQUIPMENTS AND PLANTS

<p><u>GRINDING EQUIPMENT</u></p> <p>Hammer Mills Pin Mill Micro Mills Plastic Grinding Mills Ultra Fine Mills Air Swept Mills Lump Crushers</p>	<p><u>SCREENING EQUIPMENT</u></p> <p>Gyratory Separators Vibratory Graders Rotary Sifters Rotary Drum Sifters Cleaning Graders Air Aspirators Destoners Air Classifiers</p>
<p><u>MATERIAL HANDLING SYSTEMS</u></p> <p>Screw Conveyors Vibratory Feeders Bucket & Belt Conveyor PJ Dust Collectors Rotary Airlock Valves Pneumatic Conveying Systems</p>	<p><u>DRYERS & ROASTERS</u></p> <p>Pneumatic Dryers Flash Dryers Roasters <u>CONTINUOUS FLUID BED PNEUMATIC DRYING PLANTS</u></p>
<p><u>TURNKEY PLANTS</u></p> <p>Salt Refinery Spice Plant Air Classification Plants</p>	<p><u>BLENDERS & MIXERS</u></p> <p>Ribbon Blenders Paddle Blender Drum Mixers</p>

APPLICATIONS

CHEMICALS	PHARMACEUTICAL	COSMETIC	PLASTICS
FILLERS	INSECTICIDES	DETERGENT	PIGMENT
RESINS	SPICES	CERAMICS	FILLERS
CEMENT	FOOD FLOUR POWDER	LIME	MINERAL

FINEX - UFM



FINEX-UFM MACHINE



FINEX-UFM MACHINE



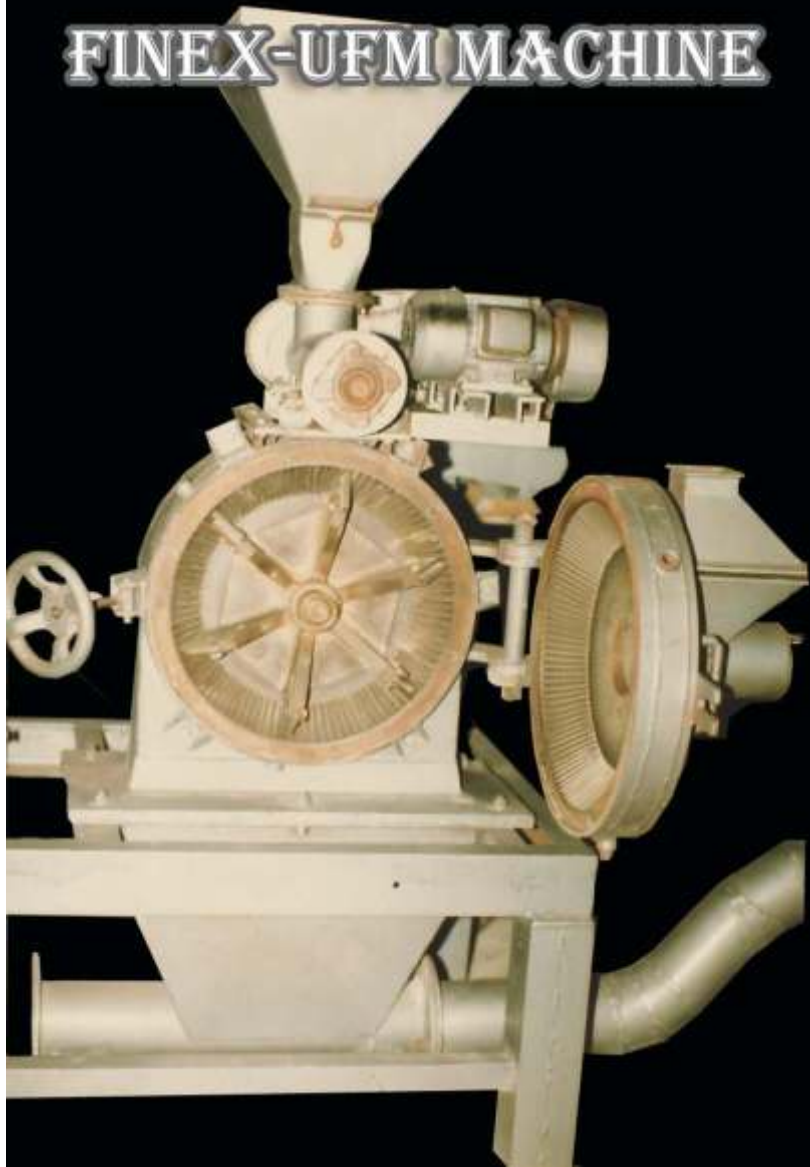
FINEX-UFM MACHINE



FINEX-UFM MACHINE



FINEX-UFM MACHINE



FINEX-UFM MACHINE



FINEX-UFM MACHINE WITH FEEDER



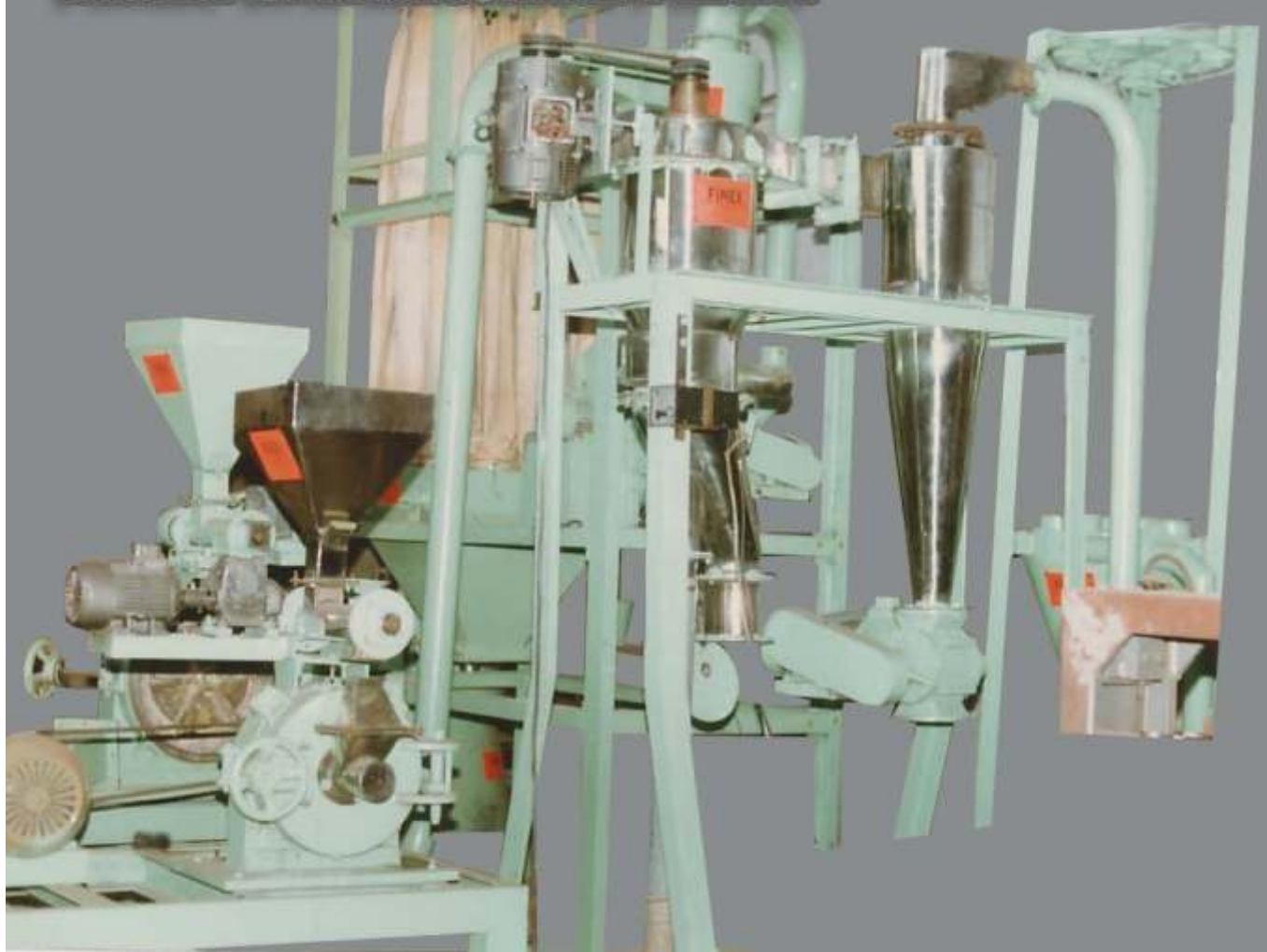
FINEX-UFM GRINDING PLANT



FINEX- UFM MACHINE



FINEX-UFM MACHINE PLANT



VALUE



MONEY

"FINEX" ULTRA FINE MILLS (UFM)



ULTRA FINE GRINDING PLANT

Model

(1) UFM 300 (2) UFM 400 (3) UFM 600 (4) UFM 800

System

Feed stock enters the mill centrally through an aperture in the access door. The rotor plate with grinding media rotates at high speed throwing the feed stock centrifugally between the stationary and rotating components. The feedstock is broken down by mechanical impact and particle interaction. Output and fineness of the ground product depends upon feedrate, rotor speed, selection of grinding media size, consistency of feed material and the way ground product is collected. This is a screenless pulverizer having vane type rotor and stationary peripheral liner having a large throughput grinding area. It has a built in water circulation jacket to reduce grinding temperature. Blower, located on rotor shaft picks fine particles from Grinding chamber. Particle size are further controlled by control plate located between rotor and blower.

Application

Highly suitable for heat sensitive chemicals, dyes, tobacco, snuff, pharmaceuticals, foods, minerals, wood rubber etc., For grinding midly hard to soft materials upto 3 on moh scale.

SCREENLESS (UFM)

SPECIFICATIONS	UFM 300	UFM 400	UFM 600	UFM 800
MOTOR	10+5	20+1	45+3	30+1
CAPACITY KGS/HR.	75	250	1000	400
MAXIMUM PERMISSIBLE FEED SIZE	3MM	5MM	5 to 10	10MM
PRODUCT RANGE

VALUE  MONEY

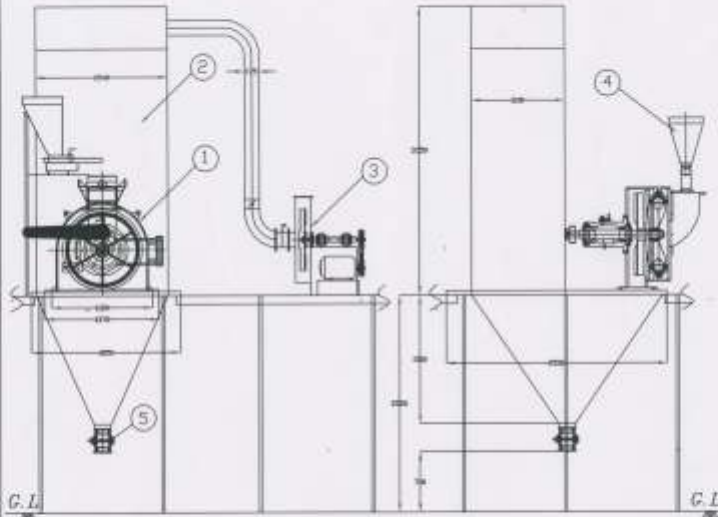


OPEN VIEW



PLANT

FINEX ULTRA FINE MILL



ELEVATION

SIDE VIEW

SERIAL NO.	EQUIPMENT	QTY.
1	IMPPELLER <i>U.F.M. 400</i>	1
2	CYCLONE	1
3	AIR BLOWER	1
4	VIBRATING FEEDER	1
5	AIR LOCK VALVE	1

DRG NO-FSPL/S/C/0049/2006
FINEX SIEVES PVT. LTD.
 606 GIDC MAKARPURA,
 BARODA-10
 390 015
 PH: (0263) 2642214, 2633842
 FAX: (0263) 2317871
 WE B: www.Finexsieves.com