

FINEX SIEVES PVT. LTD. India's Leading Designer
Manufacturer of Powder processing machines Grinding, Screening, Mixing,
Drying, Material Handling Equipments and plants. We are a 22 years old
Company and Leaders in Powder Processing Tech Designing and
Manufacturing Cutting Edge Innovative Products for the processing
industries. We supply all over the world. We are located in Baroda Gujarat
India's Largest Engineering Industrial Estate. Gujarat is India's Largest
Industrial State. We are located in Baroda Gujarat India's Largest
Engineering Industrial Estate. Gujarat is India's Largest Industrial State.
We are having a Land Area of 26,000sq.ft. area and built up Area of
7500sq. ft.

FINEX SIEVES PVT. LTD.

606, GIDC MAKARPURA, VADODARA, GUJARAT,

INDIA, PH: 91-265-2642214, FAX: 91-265-2311871,

MOB: 9376232820

Visit site www.finexsieves.com

Email: contact@finexsieves.com

fsieves@yahoo.com

POWDER PROCESSING PRODUCT RANGE OF FINEX EQUIPMENTS AND PLANTS

<p><u>GRINDING EQUIPMENT</u></p> <p>Hammer Mills Pin Mill Micro Mills Plastic Grinding Mills Ultra Fine Mills Air Swept Mills Lump Crushers</p>	<p><u>SCREENING EQUIPMENT</u></p> <p>Gyratory Separators Vibratory Graders Rotary Sifters Rotary Drum Sifters Cleaning Graders Air Aspirators Destoners Air Classifiers</p>
<p><u>MATERIAL HANDLING SYSTEMS</u></p> <p>Screw Conveyors Vibratory Feeders Bucket & Belt Conveyor PJ Dust Collectors Rotary Airlock Valves Pneumatic Conveying Systems</p>	<p><u>DRYERS & ROASTERS</u></p> <p>Pneumatic Dryers Flash Dryers Roasters</p> <p><u>CONTINUOUS FLUID BED PNEUMATIC DRYING PLANTS</u></p>
<p><u>TURNKEY PLANTS</u></p> <p>Salt Refinery Spice Plant Air Classification Plants</p>	<p><u>BLENDERS & MIXERS</u></p> <p>Ribbon Blenders Paddle Blender Drum Mixers</p>

APPLICATIONS

CHEMICALS	PHARMACEUTICAL	COSMETIC	PLASTICS
FILLERS	INSECTICIDES	DETERGENT	PIGMENT
RESINS	SPICES	CERAMICS	FILLERS
CEMENT	FOOD FLOUR POWDER	LIME	MINERAL

FINEX TWIN ROTATING PINMILL TD

This is the Universal Mill concept with two Rotating plates with Pins rotating in same or in opposite Directions . Material to be grinded enters from the CENTER , grinding takes place and by centrifugal force between both rotating pins grinding takes place and material as it gets finer is thrown towards the periphery and passes through a screen Stationary Ring with .5mm to 3mm perforated screen fitted from bottom.

- No Heat Generation No Flavor Loss No Color loss Excellent for Grinding spices foodstuffs, pigments, pesticides, stearates, fine minerals from 100kgs/hr to 3000kgs/hr .
- Will grind powders from 100mesh to less than 300mesh 30 microns .
- Available in Stainless steel Carbon steel and Mild Steel

Contact To,

Mr. Padmak Shah

Finex Sieves Private Limited

606, GIDC, Makarpura

Baroda - 390 010, Gujarat, India

A unique name for manufacturing machines for Grinding , Screening , Mixing , Drying , Material Handling , Equipments & Plants.

➔ **PULVERIZING MODELS :-**

➔ **TECHNICAL DATA :-**

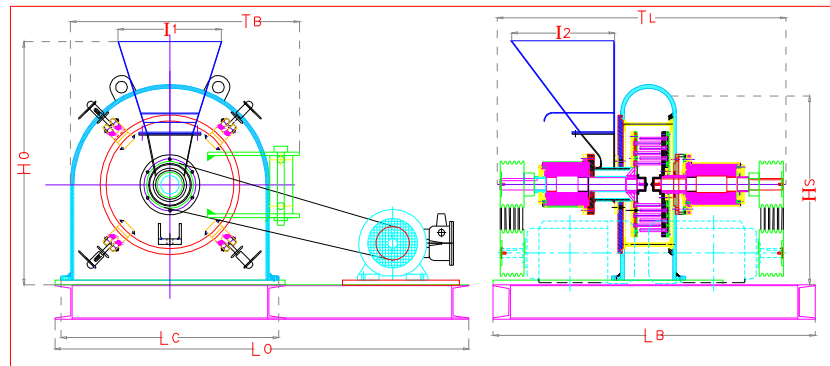
MODEL NO.	MOTOR (H.P.)	CAPACITY (Kg / hr.)
PM 300 TD	10+5	500
PM 600 TD	30+20	1000

GRINDING FROM 200 TO 400 MESH (TWIN DRIVE)
SINGLE DRIVE IS ALSO AVAILABLE.

➔ **DIMENSION TABLE :-**

MODEL NO.	I ₁ X I ₂	H ₀ / H _s	LC	L ₀ X L _B	TL X TB
PM 300 TD	350 X 350	715/650	680	1000 X 845	800 X 700
PM 600 TD	450 X 450	1060 / 870	950	1800 X 1400	1230 X 1000

ALL THE DIMENSIONS ARE IN MM



FINEX PIN MILL - 600 TD



FINEX PIN MILL 600 TD



PIN MILL 600 TD



PIN MILL 600 TD



★ PIN MILL 600 TD ★

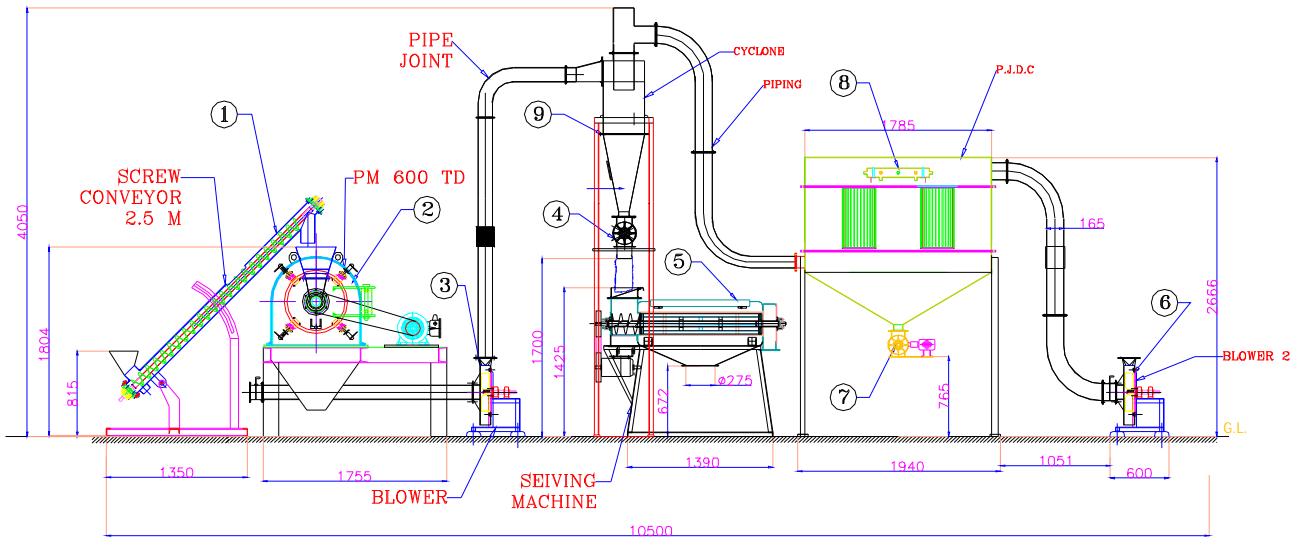


FINEX

PIN MILL - 600



FINEX PIN MILL -600 TWIN DRIVE PLANT



IF THE PLANT IS ASSEMBLED IN PERPENDICULAR MANNER
THE FOUNDATION AREA CAN BE VERY COMPACT.

	PART NO.	ALL DIMENSIONS ARE IN MM
	DWG. NO. - FSP/L/BR360/B/00	
DRN.	DHARMESH	FINEX SIBVB'S PVT.LTD
DATE	14/05/09	A1-606 G.I.D.C., MAKARPURA
CHD.		BARODA-10
SCALE	N.T.S.	TITLE - PLANT ASSEMBLY
PIN MILL -600 TD		sheet 1 of 2