

FINEX SIEVES PVT. LTD. India's Leading Designer
Manufacturer of Powder processing machines Grinding, Screening, Mixing,
Drying, Material Handling Equipments and plants. We are a 22 years old
Company and Leaders in Powder Processing Tech Designing and
Manufacturing Cutting Edge Innovative Products for the processing
industries. We supply all over the world. We are located in Baroda Gujarat
India's Largest Engineering Industrial Estate. Gujarat is India's Largest
Industrial State. We are located in Baroda Gujarat India's Largest
Engineering Industrial Estate. Gujarat is India's Largest Industrial State.
We are having a Land Area of 26,000sq.ft. area and built up Area of
7500sq. ft.

FINEX SIEVES PVT. LTD.

606, GIDC MAKARPURA, VADODARA, GUJARAT,

INDIA, PH: 91-265-2642214, FAX: 91-265-2311871,

MOB: 9376232820

Visit site www.finexsieves.com

Email: contact@finexsieves.com

fsieves@yahoo.com

POWDER PROCESSING PRODUCT RANGE OF FINEX EQUIPMENTS AND PLANTS

<p><u>GRINDING EQUIPMENT</u> Hammer Mills Pin Mill Micro Mills Plastic Grinding Mills Ultra Fine Mills Air Swept Mills Lump Crushers</p>	<p><u>SCREENING EQUIPMENT</u> Gyratory Separators Vibratory Graders Rotary Sifters Rotary Drum Sifters Cleaning Graders Air Aspirators Destoners Air Classifiers</p>
<p><u>MATERIAL HANDLING SYSTEMS</u> Screw Conveyors Vibratory Feeders Bucket & Belt Conveyor PJ Dust Collectors Rotary Airlock Valves Pneumatic Conveying Systems</p>	<p><u>DRYERS & ROASTERS</u> Pneumatic Dryers Flash Dryers Roasters <u>CONTINUOUS FLUID BED PNEUMATIC DRYING PLANTS</u></p>
<p><u>TURNKEY PLANTS</u> Salt Refinery Spice Plant Air Classification Plants</p>	<p><u>BLENDERS & MIXERS</u> Ribbon Blenders Paddle Blender Drum Mixers</p>

APPLICATIONS

CHEMICALS	PHARMACEUTICAL	COSMETIC	PLASTICS
FILLERS	INSECTICIDES	DETERGENT	PIGMENT
RESINS	SPICES	CERAMICS	FILLERS
CEMENT	FOOD FLOUR POWDER	LIME	MINERAL

FINEX PINMILL

For Grinding chemical powders such as starches, sodium bisulphate, gaurgum splits,etc From 100mesh to 300mesh . Narrow Range Particle Distribution of grinded powders. Universal Mills with Rotating and Fixed Pins on plates .External Stationary screen drum with perforated mesh fitted . Specially Designed manufactured for Chemical Applications where the Multi mill has limitations to grind powders only till 60 mesh. The Finex Pinmill can Grind powders till 200Mesh . Grinding Mills offered are from 100kgs/hr to 2000kgs/hr. . The GMP Pinmill of SS316 can Grind powders till 200Mesh such as Methformin, paracetomal etc. Grinding Mills offered are from 100kgs/hr to 2000kgs/hr.

A unique name for manufacturing machines for Grinding , Screening , Mixing , Drying , Material Handling , Equipments & Plants.

➔ **PULVERIZING MODELS :-**

➔ **TECHNICAL DATA :-**

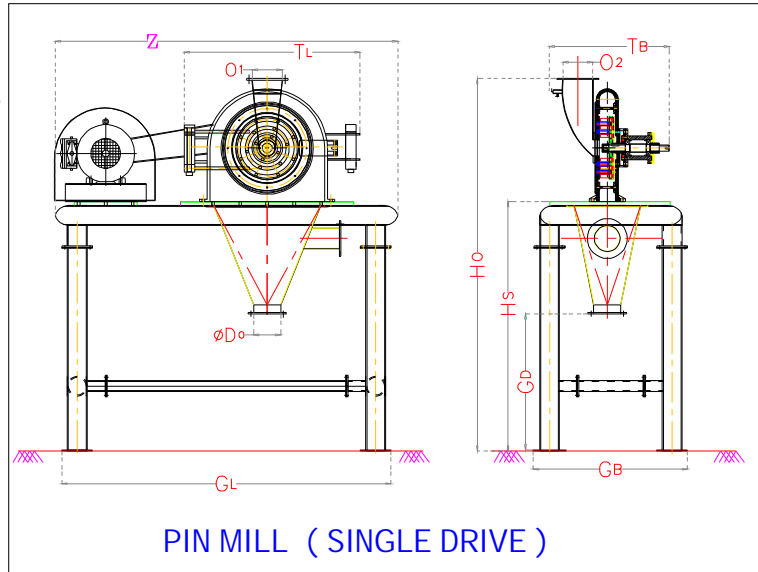
MODEL NO.	MOTOR (H.P.)	CAPACITY (Kg / hr.)
PIN MILL 200	05	200
PIN MILL 300	10	500
PIN MILL 600	30	1000

GRINDING FROM 100 TO 300 MESH (SINGLE DRIVE)

➔ **DIMENSION TABLE :-**

MODEL NO.	O ₁ X O ₂	Ø D ₀	H ₀ / H _s	G _D	Z	GL X GB	TL X TB
PM 200	130 X 130	150	1375/1000	600	1250	1050 X 550	520 X 490
PM 300	165 X 165	150	1800 / 1200	600	1550	1250 X 650	810 X 610
PM 600	210 X 210	200	2175 / 1200	550	1900	1800 X 900	1100 X 900

ALL THE DIMENSIONS ARE IN MM



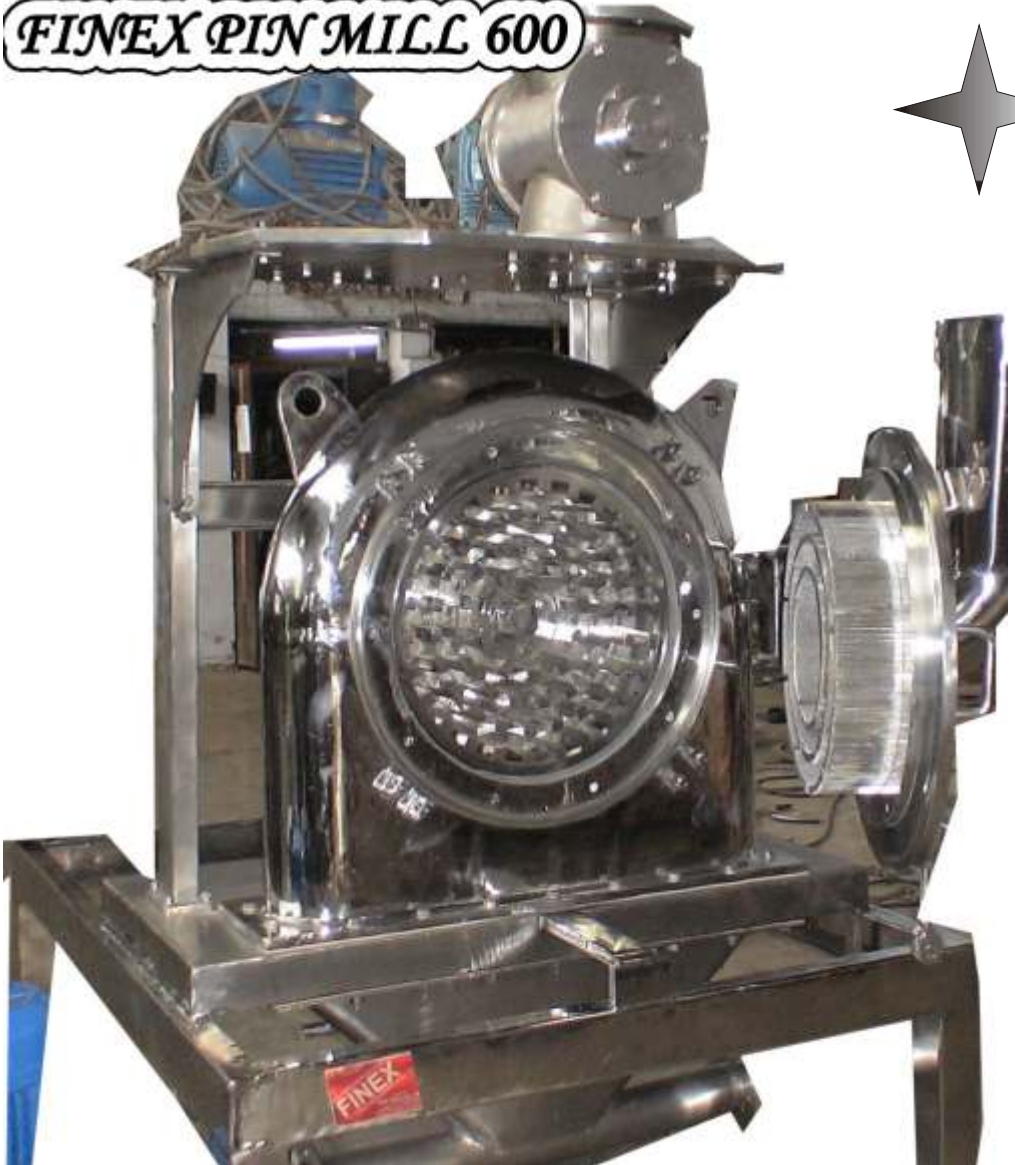
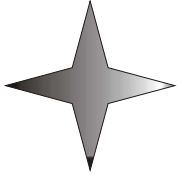
FINEX
PIN MILL 600



FINEX PINMILL - 600



FINEX PIN MILL 600



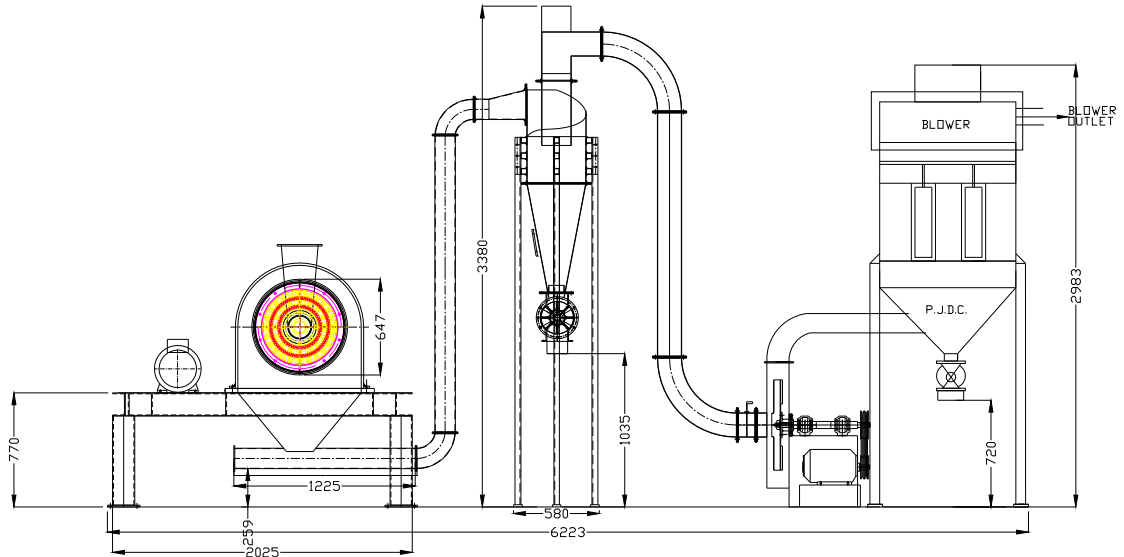
FINEX PIN MILL 600 M.S



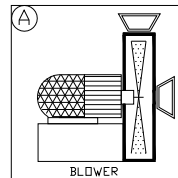
FINEX PIN MILL 600 ML



FINEX PIN MILL - 600 PLANT



5.	RAV	02.
4.	BLOWER	01.
3.	P.J.D.C.	01.
2.	CYCLONE	01.
1.	PIN MILL - 500	01.
QTY.	NAME	QTY.



DRG.NO:-FSPL/K/11/05/2008
FINEX SIEVES PVT. LTD.
 606 GIDC MAKARPURA,
 BARODA-10
 PH:642214,643842
 FAX:311871
 WEB: www.finexsieves.com