

**FINEX SIEVES** PVT. LTD. India's Leading Designer  
Manufacturer of Powder processing machines Grinding, Screening, Mixing,  
Drying, Material Handling Equipments and plants. We are a 22 years old  
Company and Leaders in Powder Processing Tech Designing and  
Manufacturing Cutting Edge Innovative Products for the processing  
industries. We supply all over the world. We are located in Baroda Gujarat  
India's Largest Engineering Industrial Estate. Gujarat is India's Largest  
Industrial State. We are located in Baroda Gujarat India's Largest  
Engineering Industrial Estate. Gujarat is India's Largest Industrial State.  
We are having a Land Area of 26,000sq.ft. area and built up Area of  
7500sq. ft.

## **FINEX SIEVES PVT. LTD.**

606, GIDC MAKARPURA, VADODARA, GUJARAT,

INDIA, PH: 91-265-2642214, FAX: 91-265-2311871,

MOB: 9376232820

Visit site [www.finexsieves.com](http://www.finexsieves.com)

Email: [contact@finexsieves.com](mailto:contact@finexsieves.com)

[fsieves@yahoo.com](mailto:fsieves@yahoo.com)

## POWDER PROCESSING PRODUCT RANGE OF FINEX EQUIPMENTS AND PLANTS

<p><u>GRINDING EQUIPMENT</u></p> <p>Hammer Mills Pin Mill Micro Mills Plastic Grinding Mills Ultra Fine Mills Air Swept Mills Lump Crushers</p>	<p><u>SCREENING EQUIPMENT</u></p> <p>Gyratory Separators Vibratory Graders Rotary Sifters Rotary Drum Sifters Cleaning Graders Air Aspirators Destoners Air Classifiers</p>
<p><u>MATERIAL HANDLING SYSTEMS</u></p> <p>Screw Conveyors Vibratory Feeders Bucket &amp; Belt Conveyor P J Dust Collectors Rotary Airlock Valves Pneumatic Conveying Systems</p>	<p><u>DRYERS &amp; ROASTERS</u></p> <p>Pneumatic Dryers Flash Dryers Roasters</p> <p><u>CONTINUOUS FLUID BED PNEUMATIC DRYING PLANTS</u></p>
<p><u>TURNKEY PLANTS</u></p> <p>Salt Refinery Spice Plant Air Classification Plants</p>	<p><u>BLENDERS &amp; MIXERS</u></p> <p>Ribbon Blenders Paddle Blender Drum Mixers</p>

## APPLICATIONS

CHEMICALS	PHARMACEUTICAL	COSMETIC	PLASTICS
FILLERS	INSECTICIDES	DETERGENT	PIGMENT
RESINS	SPICES	CERAMICS	FILLERS
CEMENT	FOOD FLOUR POWDER	LIME	MINERAL

## **FINEX MICROMILLS**

**Is For Grinding chemical powders such as starches, sodium bisulphate, gaurgum splits, Foods, pharma, refractories, plastics etc From 100mesh to 300mesh . Fine Range Particle Distribution of grinded powders is possible in the Micromill .**

**Micro Mills** are with Rotating plates with fixed hammers that rotate in a External Stationary screen drum with perforated mesh fitted at bottom and fine serrated liner at top. Specially Designed manufactured for Applications where the Multi mill has limitations to grind powders . The Finex Micromill can Grind powders till 200Mesh . Grinding Mills offered are from 100kgs/hr to 2000kgs/hr. in various sizes .

A unique name for manufacturing machines for Grinding , Screening , Mixing , Drying , Material Handling , Equipments & Plants.

➔ **PULVERIZING MODELS:-**

➔ **TECHNICAL DATA :-**

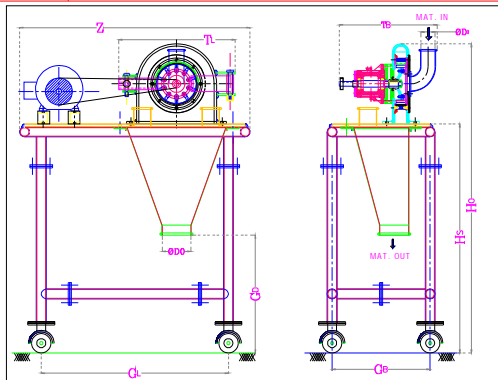
MODEL NO.	MOTOR (H.P.)	CAPACITY (Kg / hr.)
MM 150	02	50
MM 200	05	200
MM 300	10	500
MM 600	30	1000

GRINDING FROM 100 TO 300 MESH ( SINGLE DRIVE )

➔ **DIMENSION TABLE :-**

MODEL NO.	$\varnothing D_i$	$\varnothing D_o$	$H_o / H_s$	$G_D$	$Z$	$G_L \times G_B$	$T_L \times T_B$
MM 150	70	150	1375/1000	600	1165	945 X 550	520 X 490
MM 200	70	150	1575/1165	600	1175	995 X 550	595 X 500
MM 300	85	150	1800 / 1200	600	1450	1195 X 650	810 X 610

ALL THE DIMENSIONS ARE IN MM



# ***FINEX MICRO MILL - 300***



# *FINEX MICRO MILL 300*



**FINEX**  
**MICRO MILL 300**



**FINEX MICRO MILL - 300**



***FINEX MICRO MILL - 300***

