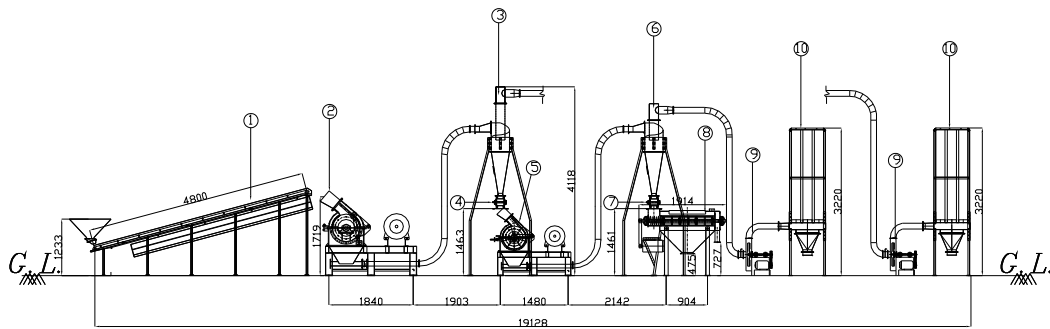


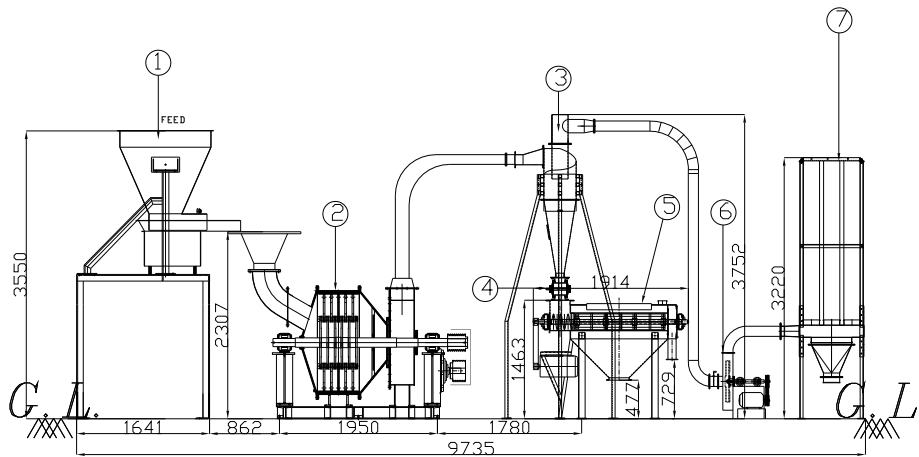
## LINE - I



10.	OPEN TYPE DUST COLLECTOR	
9.	BLOWER	7.5/5.5
8.	SIEVING MACHINE-1200	5/3.7
7.	RAV	1.0/0.75
6.	CYCLON	
5.	HAMMER MILL-3	60/45
4.	RAV	1.0/0.75
3.	CYCLON	
2.	HAMMER MILL-5	40/30
1.	BELT CONVEYOR	2.0/1.5
QTY.	NAME	HP/KW

DRG.NO:-FSPL/K/C/02/03/2008  
**FINEX SIEVES PVT. LTD.**  
 606 GIDC MAKARPURA,  
 BARODA-10  
 PH:642214,643842  
 FAX:311871  
 WEB: [www.finexsieves.com](http://www.finexsieves.com)

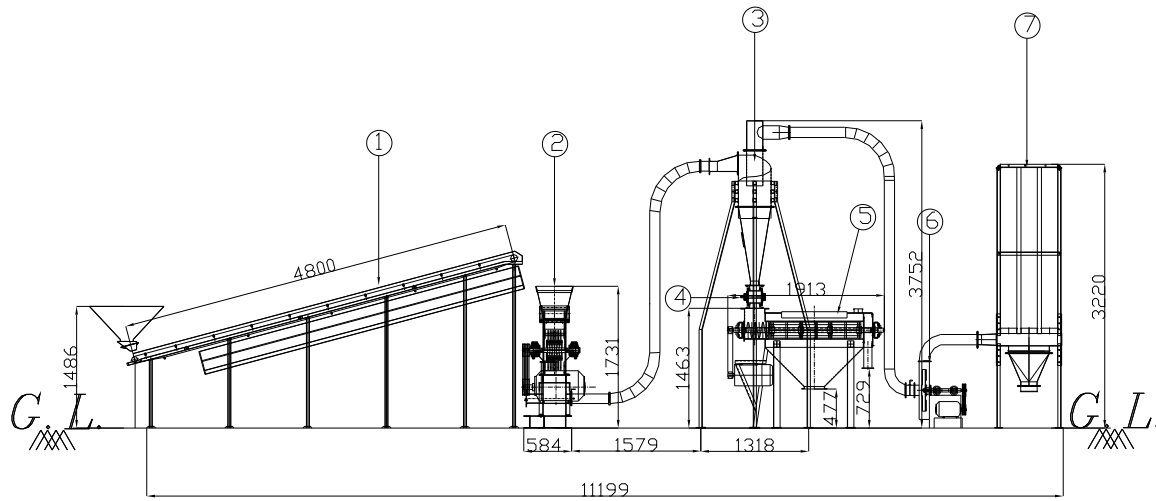
## LINE - II



7.	OPEN TYPE DUST COLLECTOR	
6.	BLOWER	7.5/5.5
5.	SIEVING MACHINE-1200	5/3.7
4.	RAV	1.0/0.75
3.	CYCLON	
2.	ASM-900	75/55
1.	VIBRATING FEEDERBELT CONVEYOR	
QTY.	NAME	HP/KW

DRG.NO:-FSPL/K/C/02/03/2008  
**FINEX SIEVES PVT. LTD.**  
 606 GIDC MAKARPURA,  
 BARODA-10  
 PH:642214,643842  
 FAX:311871  
 WEB: [www.finexsieves.com](http://www.finexsieves.com)

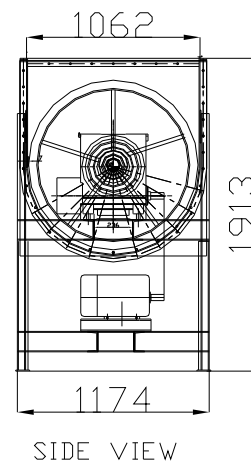
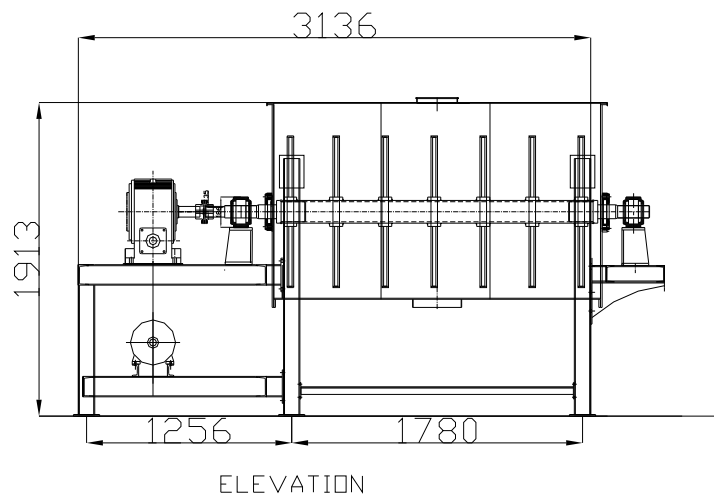
# LINE - III



7.	OPEN TYPE DUST COLLECTOR	
6.	BLOWER	7.5/5.5
5.	SIEVING MACHINE-1200	5/3.7
4.	RAV	1.0/0.75
3.	CYCLON	
2.	HAMMER MILL-3	60/45
1.	BELT CONVEYOR	2.0/1.5
QTY.	NAME	HP/KW

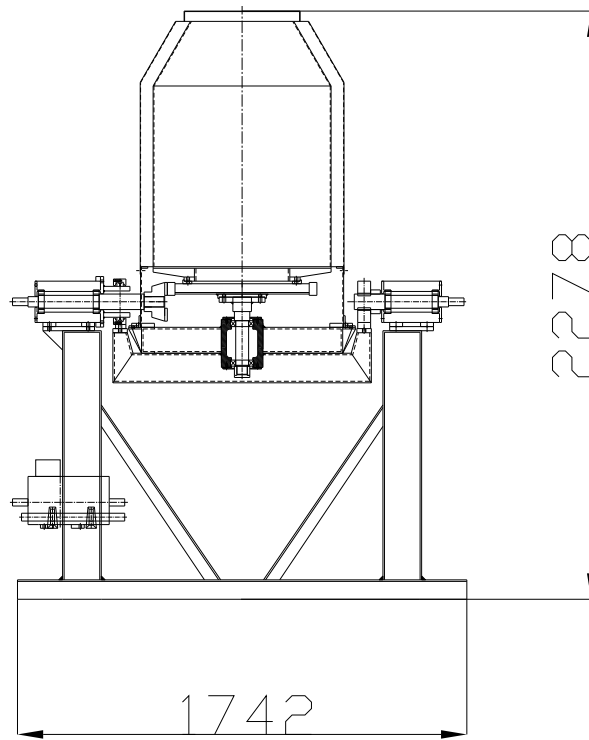
DRG.NO:-FSPL/K/C/02/03/2008  
**FINEX SIEVES PVT. LTD.**  
 606 GIDC MAKARPURA,  
 BARODA-10  
 PH:642214,643842  
 FAX:311871  
 WEB: [www.finexsieves.com](http://www.finexsieves.com)

## FINEX RIBBON BLENDER



DRG.NO:-FSPL/K/C/02/03/2008  
*FINEX SIEVES PVT. LTD.*  
606 GIDC MAKARPURA,  
BARODA-10  
PH:642214,643842  
FAX:311871  
WEB: [www.finexsieves.com](http://www.finexsieves.com)

# FINEX ROSTER



MOTOR : 10HP & 5HP.

DRG.NO:-FSPL/K/C/02/03/2008  
*FINEX SIEVES PVT. LTD.*  
606 GIDC MAKARPURA,  
BARODA-10  
PH:642214,643842  
FAX:311871  
WEB: [www.finexsieves.com](http://www.finexsieves.com)