

**FINEX SIEVES PVT. LTD.** *India's Leading Designer Manufacturer of Powder processing machines Grinding, Screening, Mixing, Drying, Material Handling Equipments and plants. We are a 22 years old Company and Leaders in Powder Processing Tech Designing and Manufacturing Cutting Edge Innovative Products for the processing industries. We supply all over the world. We are located in Baroda Gujarat India's Largest Engineering Industrial Estate. Gujarat is India's Largest Industrial State. We are located in Baroda Gujarat India's Largest Engineering Industrial Estate. Gujarat is India's Largest Industrial State. We are having a Land Area of 26,000sq.ft. area and built up Area of 7500sq. ft.*

## **FINEX SIEVES PVT. LTD.**

606, GIDC MAKARPURA, VADODARA, GUJARAT,

INDIA, PH: 91-265-2642214, FAX: 91-265-2311871,

MOB: 9376232820

Visit site [www.finexsieves.com](http://www.finexsieves.com)

Email: [contact@finexsieves.com](mailto:contact@finexsieves.com)

[fsieves@yahoo.com](mailto:fsieves@yahoo.com)

## FINEX RECTANGULAR VIBRATING GRADERS

Finex offers various sizes of Rectangular Graders with excentric weights on either side of a rotating shaft to give linear excentric Vibrations . Driven by pulleys with a Ordinary tefc Motor at speeds from 900 to 1200 rpm . Manufactured in mildsteel and stainlesssteel .Grading single to three grades will screen from 1000kgs/hr to 20,000kgs/hr .

### MODEL :-

12feet by 4 feet	3hp
8feet by 4 feet	5hp
6feet by 4feet	3hp
5 feet by 3feet	2hp

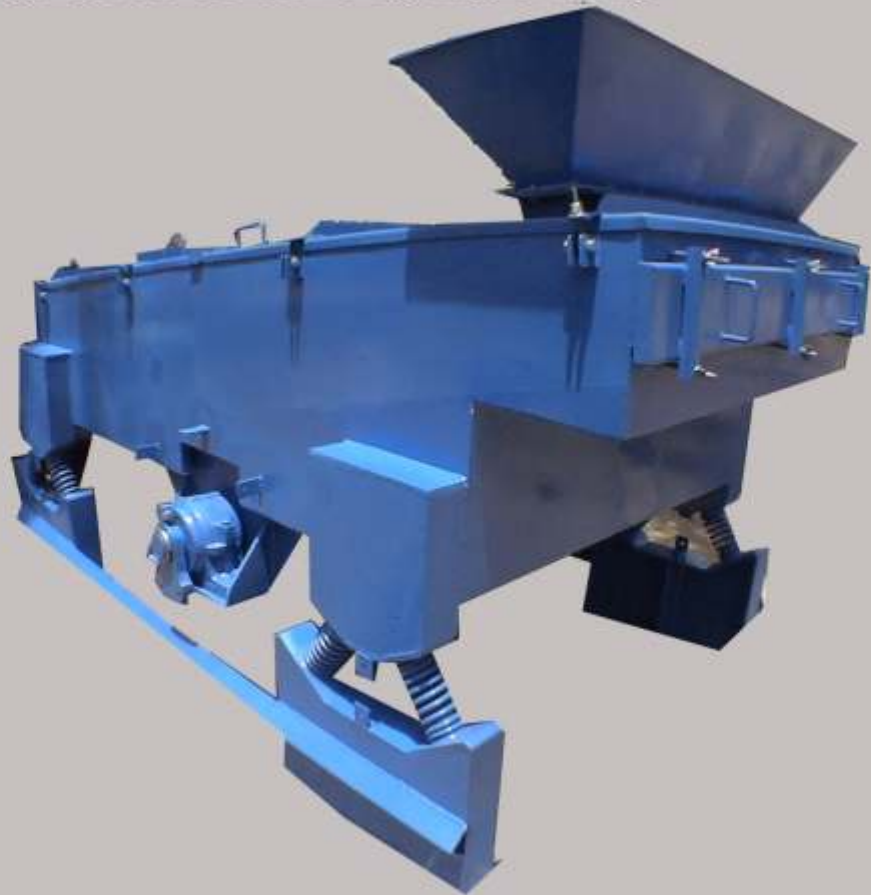
# POWDER PROCESSING PRODUCT RANGE OF FINEX EQUIPMENTS AND PLANTS

<p><u>GRINDING EQUIPMENT</u></p> <p>Hammer Mills Pin Mill Micro Mills Plastic Grinding Mills Ultra Fine Mills Air Swept Mills Lump Crushers</p>	<p><u>SCREENING EQUIPMENT</u></p> <p>Gyratory Separators Vibratory Graders Rotary Sifters Rotary Drum Sifters Cleaning Graders Air Aspirators Destoners Air Classifiers</p>
<p><u>MATERIAL HANDLING SYSTEMS</u></p> <p>Screw Conveyors Vibratory Feeders Bucket &amp; Belt Conveyor PJ Dust Collectors Rotary Airlock Valves Pneumatic Conveying Systems</p>	<p><u>DRYERS &amp; ROASTERS</u></p> <p>Pneumatic Dryers Flash Dryers Roasters <u>CONTINUOUS FLUID BED PNEUMATIC DRYING PLANTS</u></p>
<p><u>TURNKEY PLANTS</u></p> <p>Salt Refinery Spice Plant Air Classification Plants</p>	<p><u>BLENDERS &amp; MIXERS</u></p> <p>Ribbon Blenders Paddle Blender Drum Mixers</p>

## APPLICATIONS

CHEMICALS	PHARMACEUTICAL	COSMETIC	PLASTICS
FILLERS	INSECTICIDES	DETERGENT	PIGMENT
RESINS	SPICES	CERAMICS	FILLERS
CEMENT	FOOD FLOUR POWDER	LIME	MINERAL

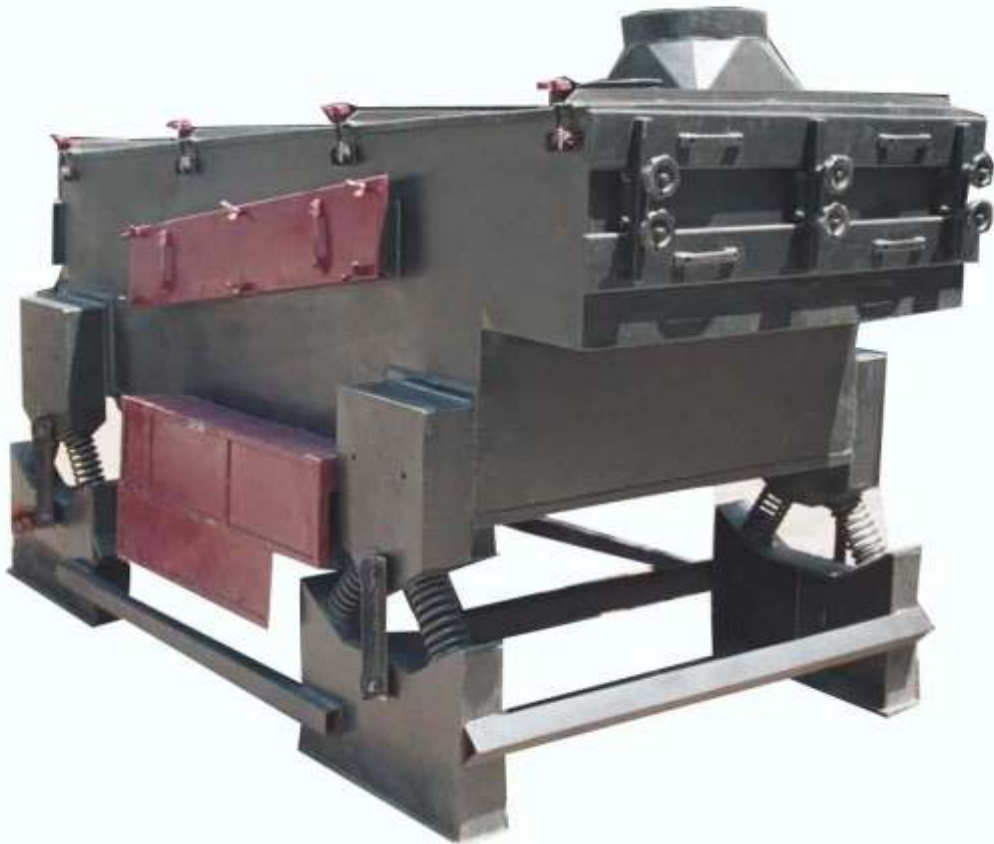
# **FINEX-RECTANGULAR GRADER**



# FINEX-RECTANGULAR GRADER



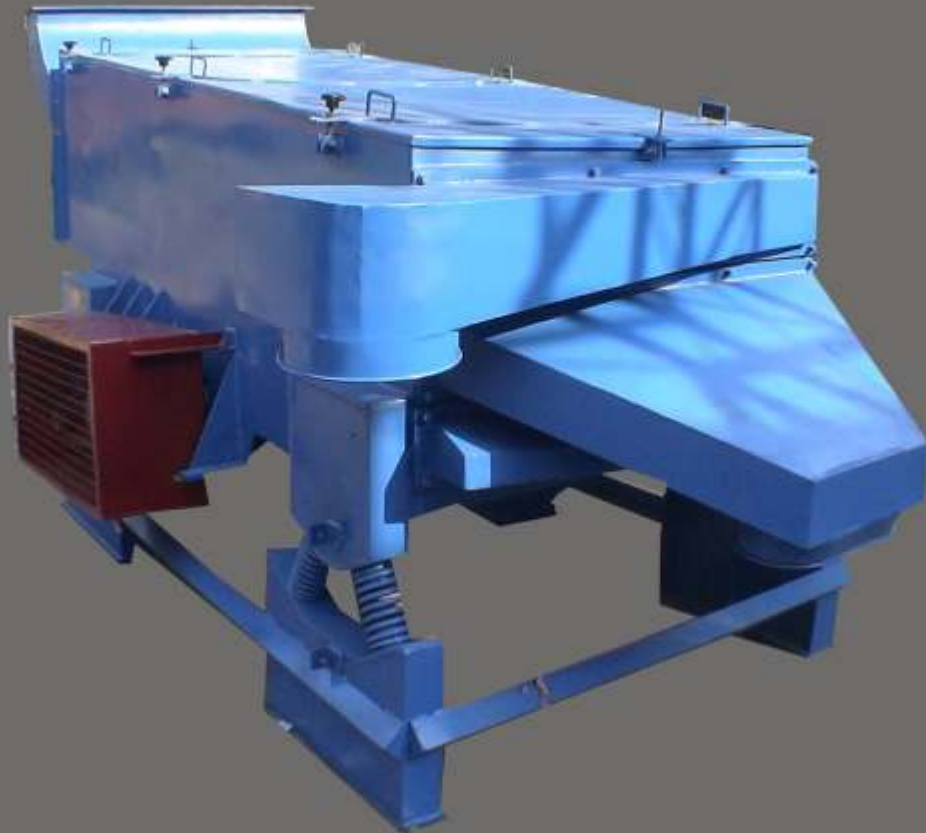
# FINEX -RECTANGULAR GRADER



# FINEX -RECANGULAR GRADER



# FINEX-RECTANGULAR GRADER



# FINEX-RECTANGULAR GRADER



# FINEX-RECTANGULAR GRADER



# **FINEX-RECTANGULAR GRADER**



# FINEX-RECTANGULAR GRADER



**F  
I  
N  
E  
X**

**R  
E  
C  
T  
A  
N  
G  
U  
L  
A  
R**

**G  
R  
A  
D  
E  
R**

